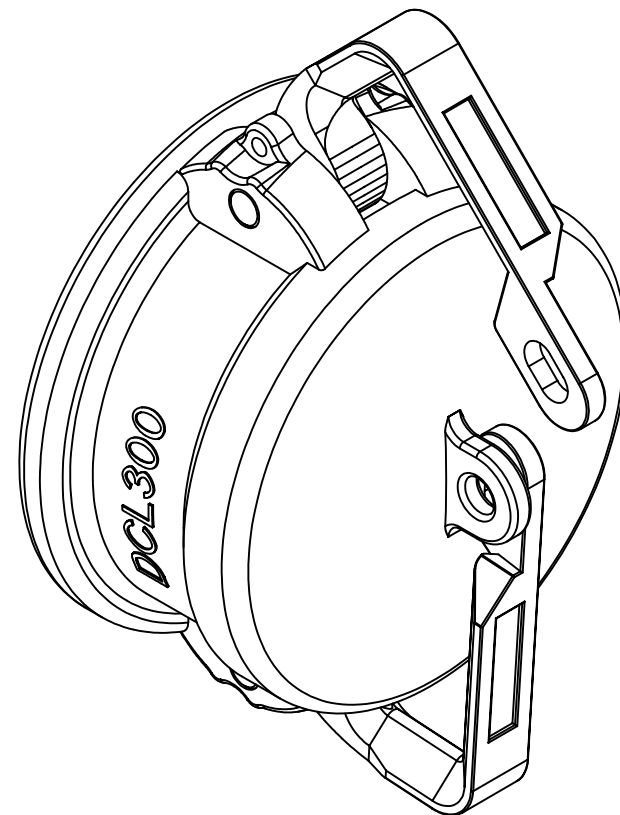
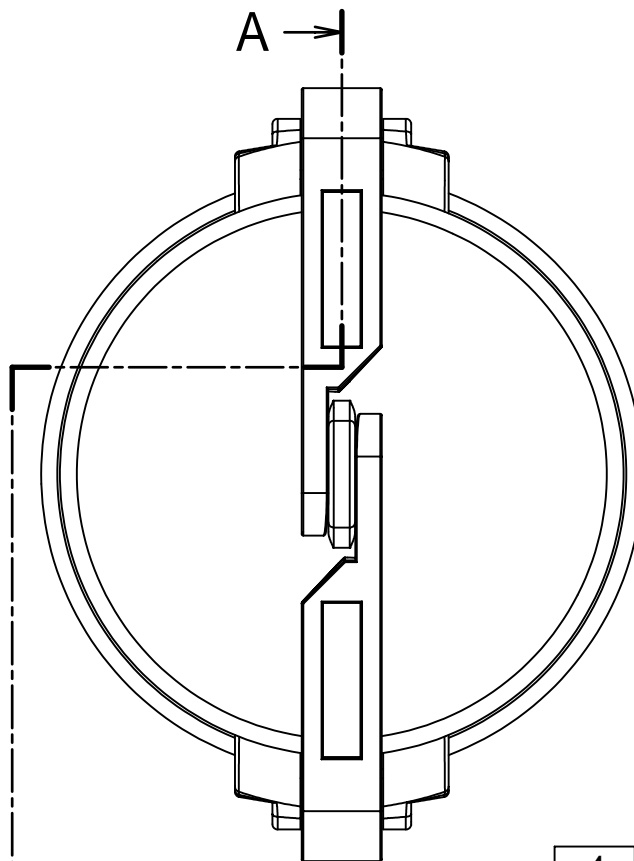



Section A-A



4	ガスケット	NBR	1	
3	カムアーム	SCS13A	2	
2	ピン	SUS304	2	
1	ボディ	AC4CH	1	
ITEM	PART NAME	MATERIAL	Q'TY	REMARKS

Nominal Dia	CUSTOMER			
Fluid.				
Press.	DATE	SCALE	DRAW	APPR
Temp.	Apr.17'06	1 / 1	ToMo	
Drawing History	DWG No.		3	

TITLE	
MAX-LOK	
MAX-DCL-3" Dust Cap	
 FULLNESS JAPAN CORPORATION.	


FULLNESS JAPAN CORPORATION.