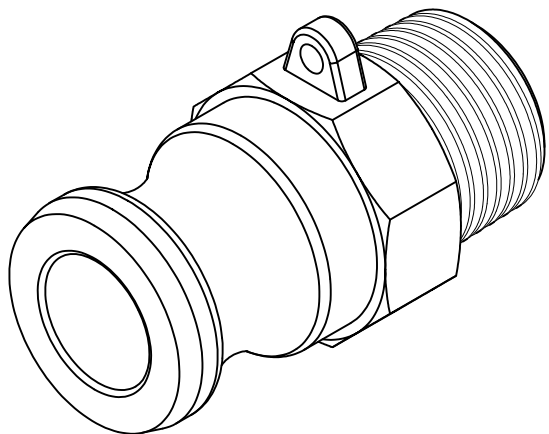



Section D-D



1	ボディ	SCS14A	1	
ITEM	PART NAME	MATERIAL	Q'TY	REMARKS
Nominal Dia	CUSTOMER		TITLE	
Fluid.			<b>MAX-LOK</b> MAX-F-1/2"アダプター	
Press.				
Temp.	DATE	SCALE	DRAW	APPR
Drawing History	Jun.13'10	2/1	ToMo	
	DWG No.		3	
	MAX-F-15SS-01		 FULLNESS JAPAN CORPORATION.	