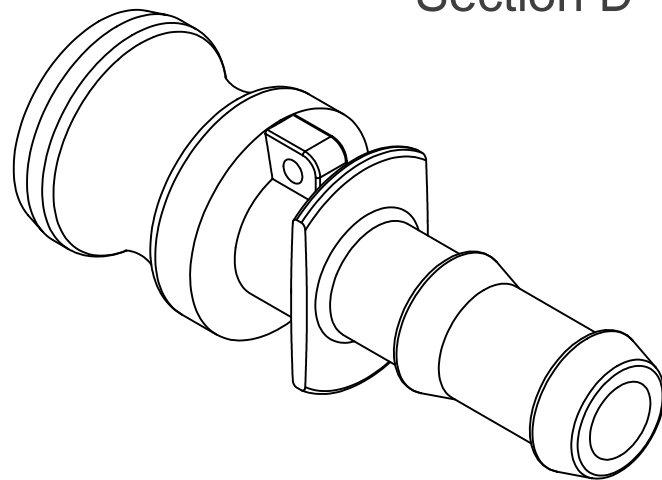



Section D-D



Nominal Dia	
Fluid.	
Press.	
Temp.	
Drawing History	

1	ボディ	SCS14A	1	
ITEM	PART NAME	MATERIAL	Q'TY	REMARKS
CUSTOMER		TITLE		
		MAX-LOK		
		MAX-E-1/2"アダプター		
DATE	SCALE	DRAW	APPR	
Jun.13'10	2/1	ToMo		
DWG No.				
MAX-E-15SS-01		3		
		 FULLNESS JAPAN CORPORATION.		