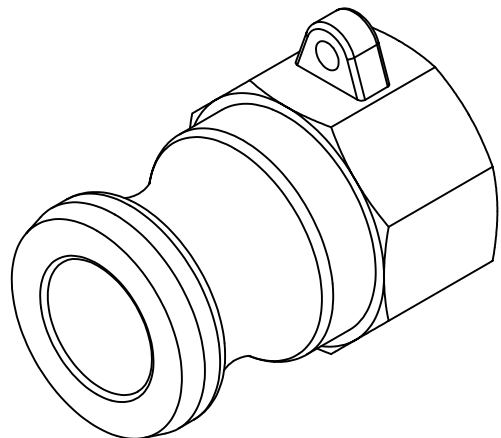



Section C-C



Nominal Dia	
Fluid.	
Press.	
Temp.	
Drawing History	

1	ボディ	SCS14A	1	
ITEM	PART NAME	MATERIAL	Q'TY	REMARKS
CUSTOMER		TITLE		
		<b>MAX-LOK</b>		
		MAX-A-1/2"アダプター		
DATE	SCALE	DRAW	APPR	
Jun.12'10	2/1	ToMo		
DWG No.		<b>3</b>		
<b>MAX-A-15SS-01</b>		 <b>FULLNESS JAPAN CORPORATION.</b>		