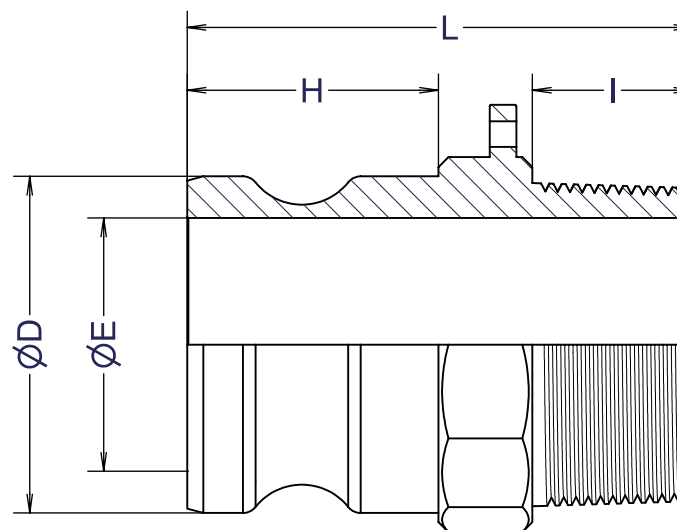
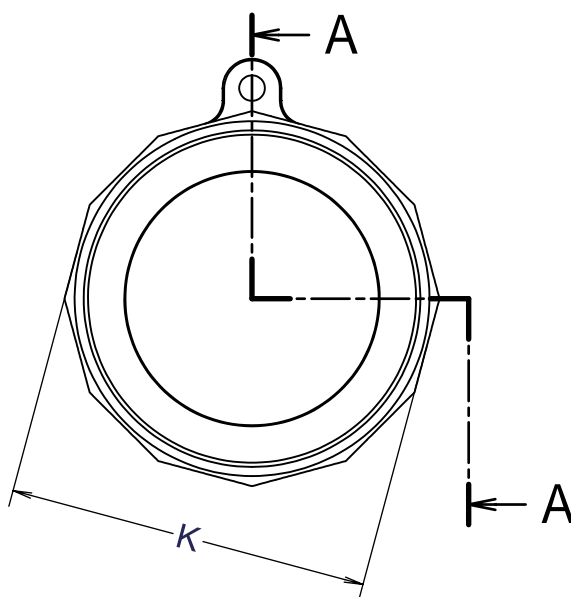


| Part No. | F-1/2" | F-3/4" | F-1" | F-1 1/4" | F-1 1/2" | F-2" | F-2 1/2" | F-3" | F-4" | |
|------------|--------|---------|------|----------|----------|-------|----------|-------|------|-------|
| Size | mm | 20x15 | 20 | 25 | 32 | 40 | 50 | 65 | 80 | 100 |
| | inches | 3/4x1/2 | 3/4 | 1 | 1 1/4 | 1 1/2 | 2 | 2 1/2 | 3 | 4 |
| ØD | | 32 | 32 | 36.7 | 45.4 | 53.4 | 63 | 75.7 | 91.5 | 119.5 |
| ØE | | 14 | 20 | 23.7 | 28.5 | 36.5 | 47.4 | 56 | 73 | 98 |
| K | | 35 | 35 | 40.5 | 48 | 59.5 | 68 | 84 | 100 | 129 |
| H | | 27 | 27 | 34 | 40 | 42 | 47 | 50 | 51 | 52.5 |
| I | | 21 | 21 | 22.5 | 25.5 | 26 | 30 | 33 | 36 | 42 |
| L | | 59 | 59 | 73 | 82 | 84.5 | 94.5 | 102 | 106 | 123 |
| Weight(kg) | | 0.22 | 0.17 | 0.31 | 0.54 | 0.66 | 0.85 | 1.56 | 1.8 | 3.17 |

Dimensions:mm



Section A-A

| | | | | |
|------|---------------|--|------|---------|
| 1 | BODY | SCS14A | 1 | |
| ITEM | PART NAME | MATERIAL | Q'TY | REMARKS |
| | CUSTOMER | TITLE SAFLOK Japan | | |
| | DATE | SCALE | DRAW | APPR |
| | Jul.11'08 | none | ToMo | |
| | DWG No. | TITLE SAF-F 雄ネジアダプター | | |
| | SAF-F-04SS-01 | TITLE FULLNESS JAPAN CORPORATION. | | |
| | 3 | | | |

| | |
|-----------------|--|
| Nominal Dia | |
| Fluid. | |
| Press. | |
| Temp. | |
| Drawing History | |