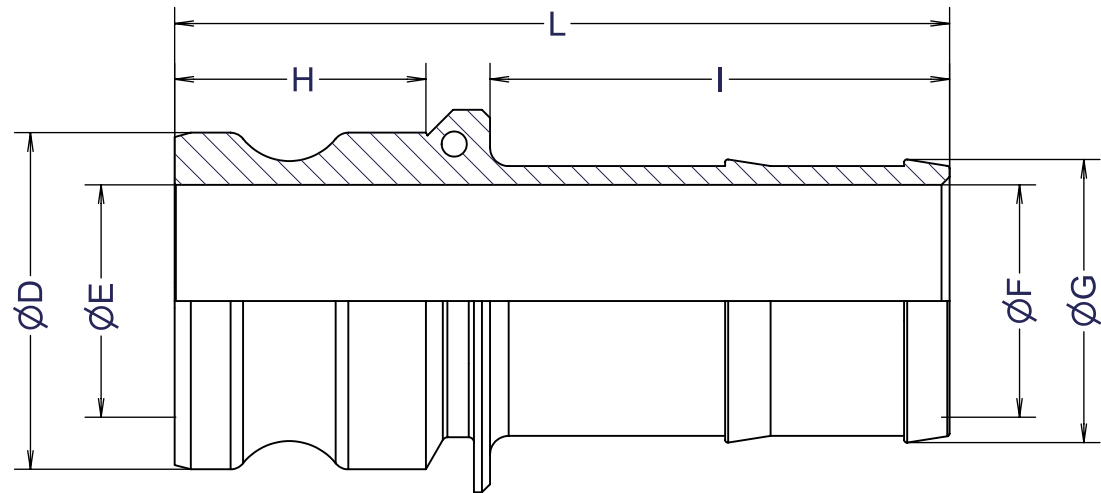
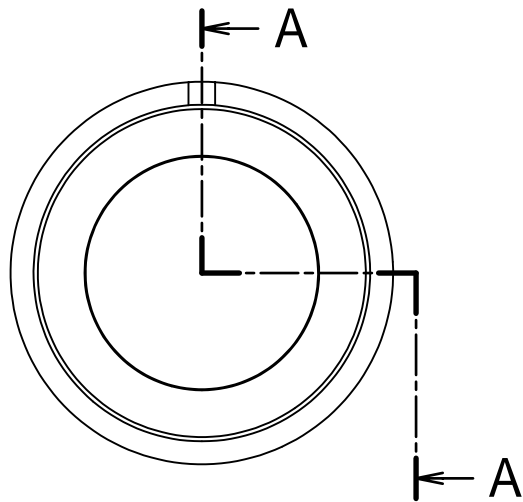


Part No.	E-3/4"	E-1"	E-1 1/4"	E-1 1/2"	E-2"	E-2 1/2"	E-3"	E-4"	
Size	mm	20	25	32	40	50	65	80	100
	inches	3/4	1	1 1/4	1 1/2	2	2 1/2	3	4
ØD	32	36.7	45.4	53.4	63	75.7	91.5	119.5	
ØE	21.5	23.7	28.7	36.7	43.5	57	73	97	
ØF	14	19	25	32	43.5	57	68	90	
ØG	22	27.5	34.5	41	53	67.5	80	105.5	
H	26	34	40	42	47	49.5	50	52.5	
I	51	57	58	74	86	86	106	117	
L	90	103	111	128	145	150	170	186	
Weight(kg)	0.17	0.29	0.45	0.6	0.98	1.2	1.68	3.52	

Dimensions:mm



Section A-A

1	BODY	SCS14A	1		
ITEM	PART NAME	MATERIAL	Q'TY	REMARKS	
	CUSTOMER	TITLE			
		SAFLOK Japan			
		SAF-E			
		ホ-スシャクアダプタ-			
		FULLNESS JAPAN CORPORATION.			
		DATE	SCALE	DRAW	APPR
		Jul.11'08	none	ToMo	
		DWG No.			
		SAF-E-04SS-01		3	

Nominal Dia	
Fluid.	
Press.	
Temp.	
Drawing History	