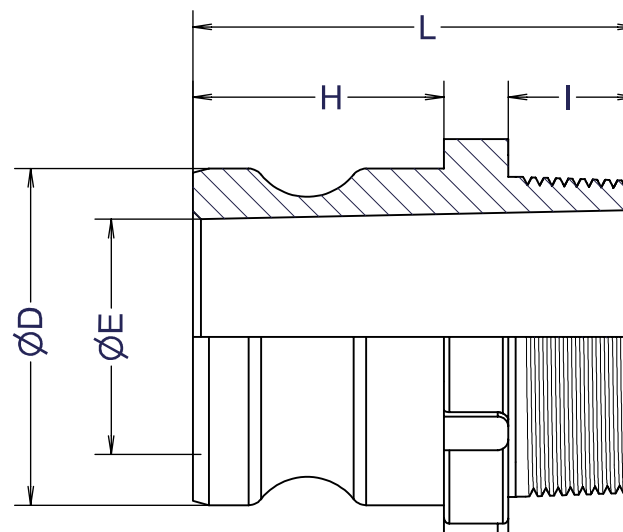
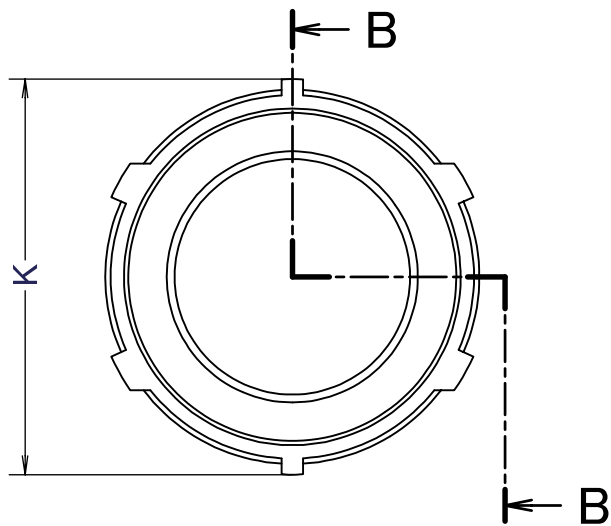



| Part No. | 75x50-F | 75-F | 100-F | 125-F | 150-F | 200-F | 300-F | 400-F | |
|----------|---------|---------|-------|-------|-------|-------|-------|-------|-----|
| Size | mm | 20x15 | 20 | 25 | 32 | 40 | 50 | 80 | 100 |
| | inches | 3/4x1/2 | 3/4 | 1 | 1 1/4 | 1 1/2 | 2 | 3 | 4 |
| ØD | | | | | | | 91.5 | 119.5 | |
| ØE | | | | | | | 70 | 91 | |
| K | | | | | | | 99 | 120 | |
| H | | | | | | | 51 | 53.5 | |
| I | | | | | | | 32 | 33 | |
| L | | | | | | | 102 | 119 | |

Units:mm



Section B-B

| | | | | |
|-----------------|-----------|---------------|------|--|
| 1 | BODY | ポリプロピレン | 1 | |
| ITEM | PART NAME | MATERIAL | Q'TY | REMARKS |
| CUSTOMER | | TITLE | | |
| DATE | SCALE | DRAW | APPR | MAX-F 雄ネジアダプター |
| Oct.20'08 | none | ToMo | | |
| Drawing History | | DWG No. | 3 |  FULLNESS JAPAN CORPORATION. |
| | | MAX-F-05PP-01 | | |

| | |
|-------------|--|
| Nominal Dia | |
| Fluid. | |
| Press. | |
| Temp. | |