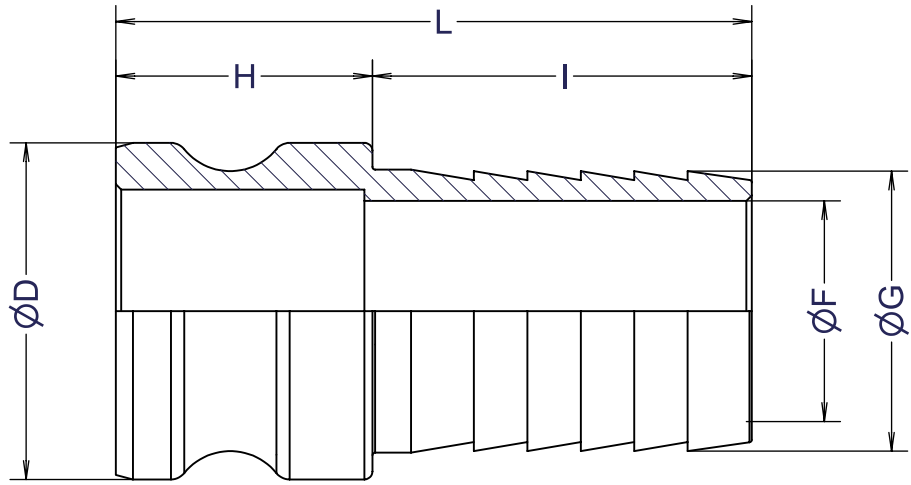


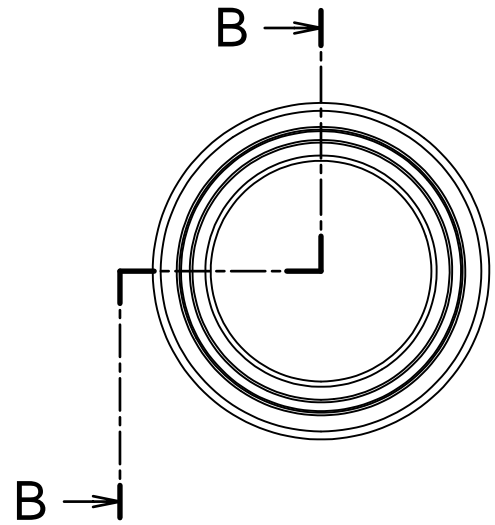
Part No.	75x50-E	75-E	100-E	125-E	150-E	200-E	300-E	400-E	
Size	mm	20x15	20	25	32	40	50	80	100
	inches	3/4x1/2	3/4	1	1 1/4	1 1/2	2	3	4
ØD		32	32	36.7	45.5	53.4	63	91.5	119.5
ØF		8	14	19	24	30	41	65	89
ØG		14	20.5	26.5	33	39.5	52.5	77	103
H		23	22	30	42	41.5	48	45	46
I		40	52	58	60.5	60.5	71	108	108
L		63	74	88	102.5	102	119	153	154


300-E,400-Eはリブ式です。

Units:mm



Section B-B



1	BODY	ポリプロピレン	1	
ITEM	PART NAME	MATERIAL	Q'TY	REMARKS
CUSTOMER		TITLE		
		<b>MAX-LOK</b>		
		MAX-E ホースアダプター		
DATE		SCALE	DRAW	APPR
Oct.20'08		none	ToMo	
Temp.		DWG No.		
Drawing History		MAX-E-05PP-84		3
		 <b>FULLNESS JAPAN CORPORATION.</b>		