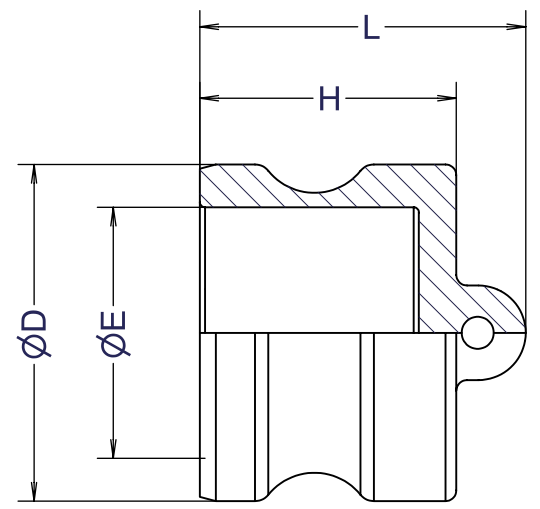
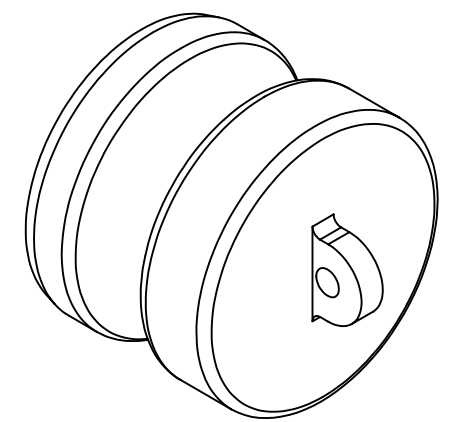
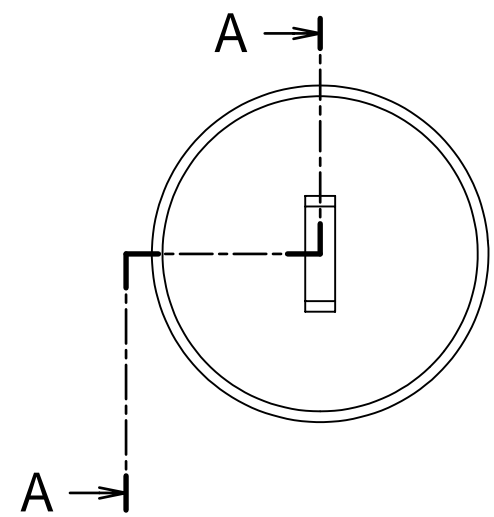



Part No.	75-DP	100-DP	125-DP	150-DP	200-DP	300-DP	400-DP	
Size	mm	20	25	32	40	50	80	100
	inches	3/4	1	1 1/4	1 1/2	2	3	4
ØD	32	36.7	45.5	53.4	63	91.5	119.5	
ØE	22	23	28	35	47	76.5	99	
H	23	30.5	39	39	48	48	41	
L	36	43	58	55	61	72	59	

Units:mm



Section A-A



1	BODY	ポリプロピレン	1	
ITEM	PART NAME	MATERIAL	Q'TY	REMARKS
		<b>MAX-LOK</b> MAX-DP ダストプラグ		
		 <b>FULLNESS JAPAN</b> CORPORATION.		

Nominal Dia		CUSTOMER			
Fluid.					
Press.		DATE	SCALE	DRAW	APPR
Temp.		Oct.20'08	none	ToMo	
Drawing History		DWG No. MAX-DP-05PP-84		3	