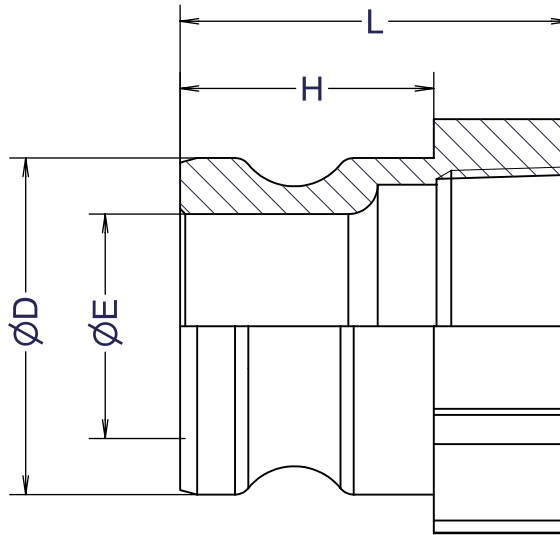
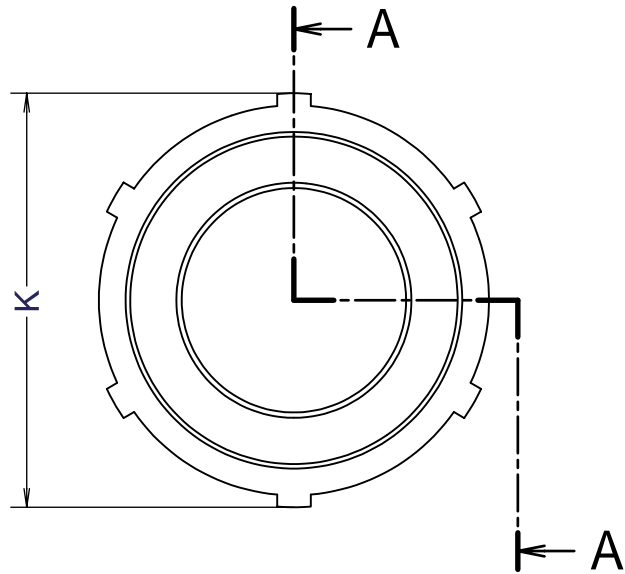
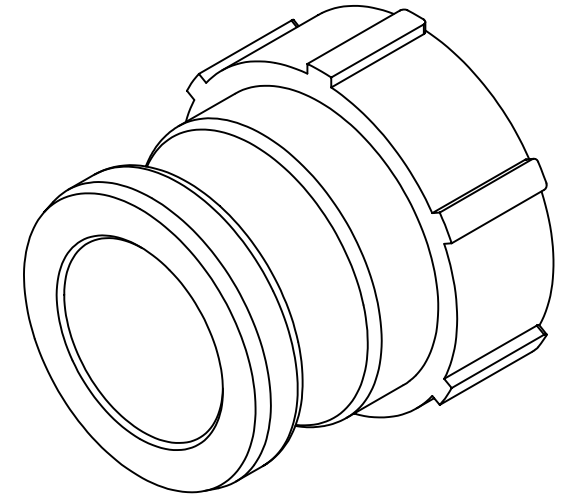



Part No.	75x50-A	75-A	100-A	125-A	150-A	200-A	300-A	400-A	
Size	mm	20x15	20	25	32	40	50	80	100
	inches	3/4x1/2	3/4	1	1 1/4	1 1/2	2	3	4
ØD		32	32	36.7	45.5	53.4	63	91.5	119.5
ØE		21.5	21	22	28	37	42	71	90
K		34	34	43	52	65	77.5	109	137
H		26	26	34	40	42	47.5	52.5	53
L		42	42	59	65	67	73	90	92

Units:mm



Section A-A



1	BODY	ポリプロピレン	1	
ITEM	PART NAME	MATERIAL	Q'TY	REMARKS
CUSTOMER		TITLE		
		MAX-LOK		
		MAX-A 雌ネジアダプター		
DATE		SCALE	DRAW	APPR
Oct.20'08		none	ToMo	
Temp.		DWG No.		
Drawing History		MAX-A-05PP-84		3
		 FULLNESS JAPAN CORPORATION.		