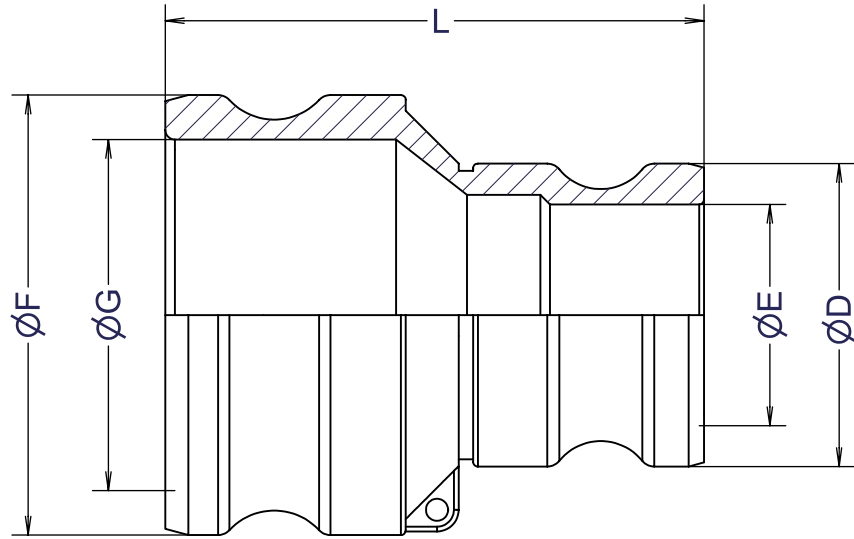
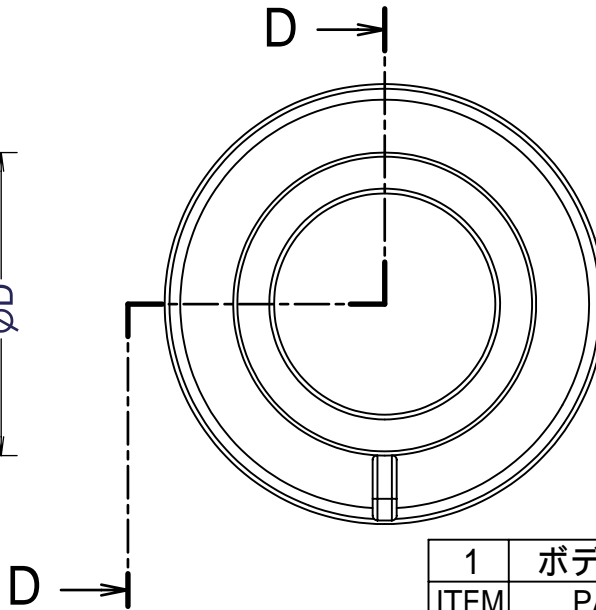


SIZE	PART No.	ØD	ØE	ØF	ØG	L
1"	AA100-AL	36.7	24	36.7	24	84
1 1/4"	AA125-AL	45.5	29.2	45.5	27.5	95
1 1/2"	AA150-AL	53.4	36.5	53.4	36.5	97
1 1/2" x 2"	AA15/20-AL	53.4	36.5	63	46	91
2"	AA200-AL	63	46	63	46	110
2" x 3"	AA20/30-AL	63	46	91.5	73	112
3"	AA300-AL	91.5	71.5	91.5	72.5	118
3" x 4"	AA30/40-AL	91.5	73	119.5	98	117.5
4"	AA400-AL	119.5	98	119.5	98	122
4" x 1 1/2"	AA40/15-AL	53.4	36.5	119.5	98	120.5
4" x 2"	AA40/20-AL	63	46	119.5	98	124.5
4" x 6"	AA40/60-AL	119.5	101	175.9	152.5	140
6"	AA600-AL	175.9	150	175.9	150	140


Units:mm



Section D-D



D →

1	ボディ	AC4C-T6	1	
ITEM	PART NAME	MATERIAL	Q'TY	REMARKS
Nominal Dia	CUSTOMER		TITLE	
Fluid.			MAX-LOK MAX-AA アダプター-Xアダプター-	
Press.				
Temp.	DATE	SCALE	DRAW	APPR
Drawing History	Jun.29'12	none	ToMo	
	DWG No.		3	
	MAX-AA-01AL-19		 FULLNESS JAPAN CORPORATION.	