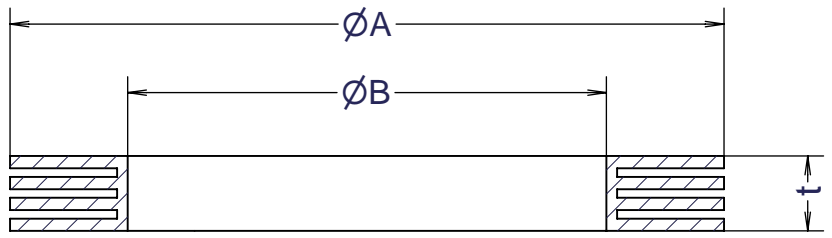
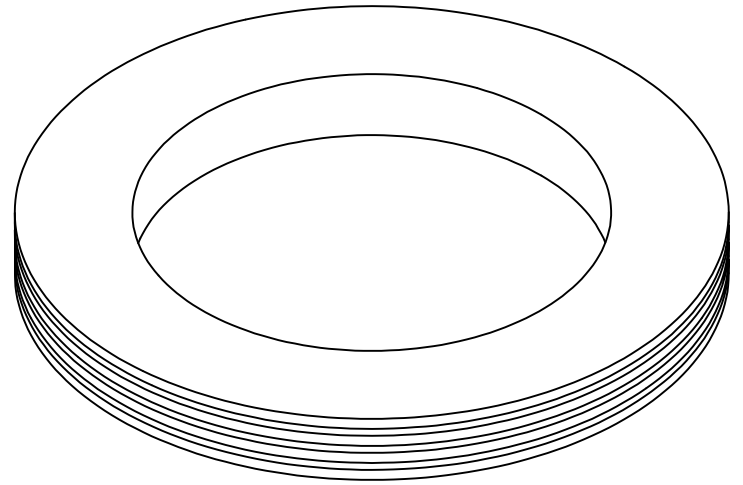
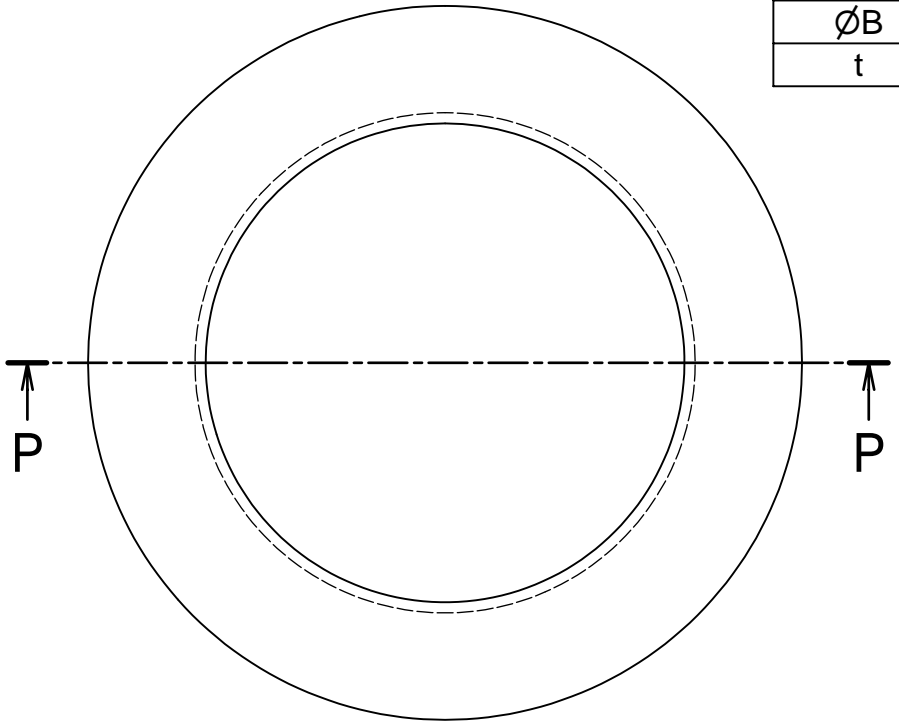



Part No.	75-T	100-T	125-T	150-T	200-T	250-T	300-T	400-T
Size	mm	20	25	32	40	50	65	100
	inches	3/4	1	1 1/4	1 1/2	2	2 1/2	4
ØA	35	40	49	56	67	80	93	123.5
ØB	19	22	28.5	36	45	56	72	100
t	6.4	7	7	7	7	7	7	6.4

Units:mm



Section P-P

1	BODY	PTFE	1	
ITEM	PART NAME	MATERIAL	Q'TY	REMARKS
CUSTOMER		TITLE		
		<b>MAX-LOK</b>		
		PTFE ガスケット		
DATE	SCALE	DRAW	APPR	
Nov.29'06	none	ToMo		
DWG No.		<b>3</b>		
Drawing History		<b>PTFE-GASKET-01</b>		
		 FULLNESS JAPAN CORPORATION.		