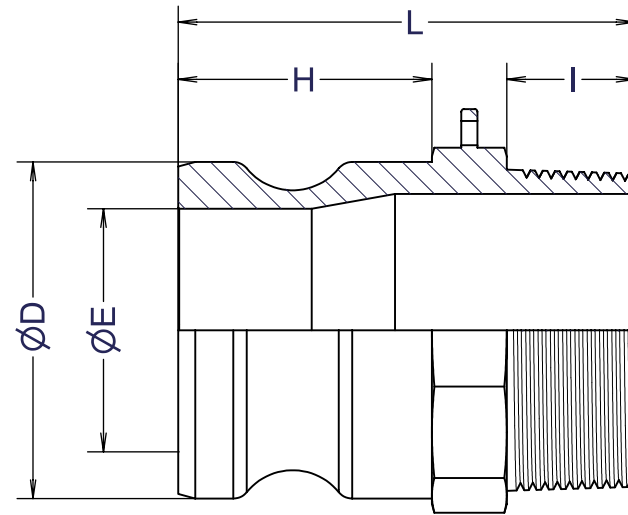
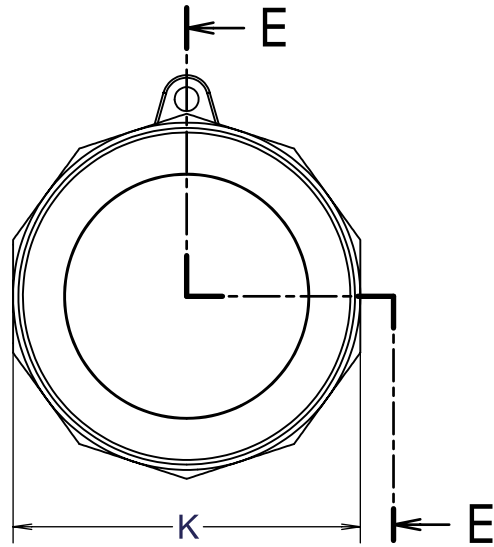




Part No.	75x50-F	75-F	100-F	125-F	150-F	200-F	250-F	300-F	400-F	
Size	mm	20x15	20	25	32	40	50	65	80	100
	inches	3/4x1/2	3/4	1	1 1/4	1 1/2	2	2 1/2	3	4
ØD	32	32	36.7	45.5	53.4	63	75.8	91.5	119.5	
ØE	22.2	21	23.8	28.5	36	45.5	56.3	73	102	
K	32.5	32.5	38	47	54.5	65	78	93	120	
H	25	25	33.5	39	41	47.5	49	50	52	
I	16	16	18	20	20.5	24	30	31	36	
L	51.5	51.7	63.5	71	74.5	85.5	96	99	110	
Wiegth(kg)	0.14	0.15	0.24	0.34	0.52	0.72	0.92	1.17	1.68	

Units:mm



Section E-E

1	ボディ	BRASS	1	
ITEM	PART NAME	MATERIAL	Q'TY	REMARKS
CUSTOMER		TITLE		
		 SFI-F 雄ネジアダプター		
DATE		SCALE	DRAW	APPR
Jul.5'11		none	ToMo	
Drawing History		DWG No.		
		SFI-F-03BS-12		3
		 FULLNESS JAPAN CORPORATION.		

Nominal Dia	
Fluid.	
Press.	
Temp.	