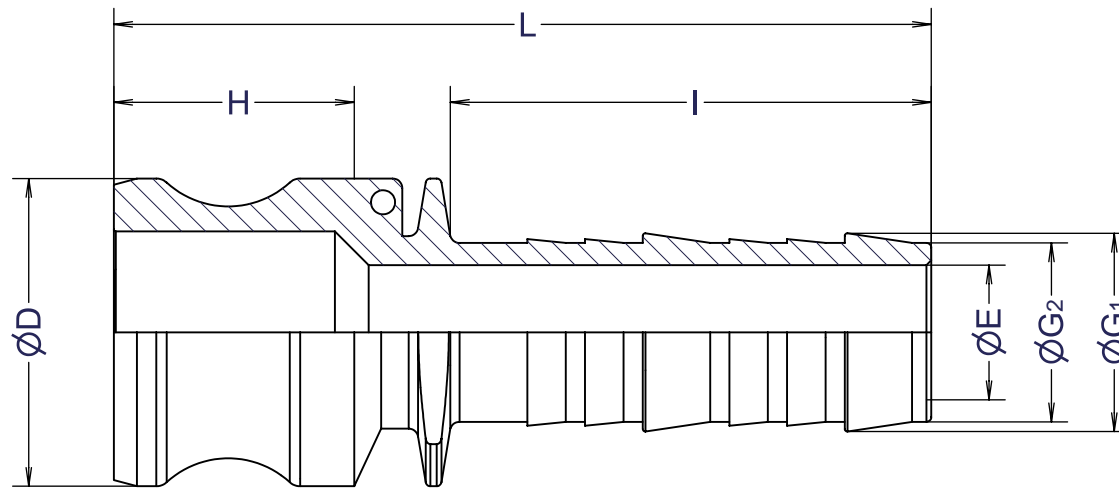
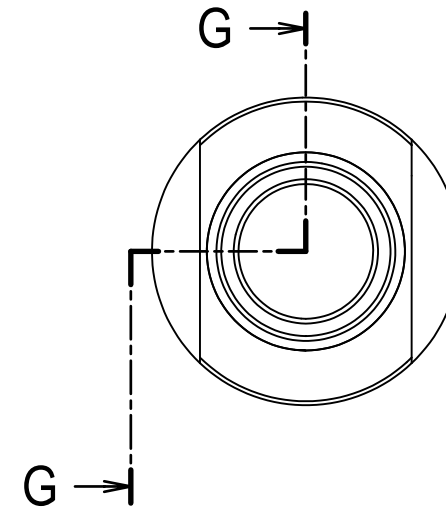



Part No.	50-E	75-E	
Size	mm	15	20
	inches	1/2	3/4
ØD	Ø23.8	32	
ØE	Ø8.4	14	
ØG ₁	Ø14.6	20.6	
ØG ₂	Ø12.2	18.6	
H	25	25.4	
I	35	50	
L	73	85	
Weight(kg)	0.1	0.16	

Units:mm



Section G-G



1	ボディ	BRASS	1	
ITEM	PART NAME	MATERIAL	Q'TY	REMARKS
Nominal Dia	CUSTOMER	TITLE		
Fluid.				
Press.	DATE	SCALE	DRAW	APPR
Temp.	Nov.26'10	none	ToMo	
Drawing History	DWG No.	SFI-E-03BS-MIN		3
		