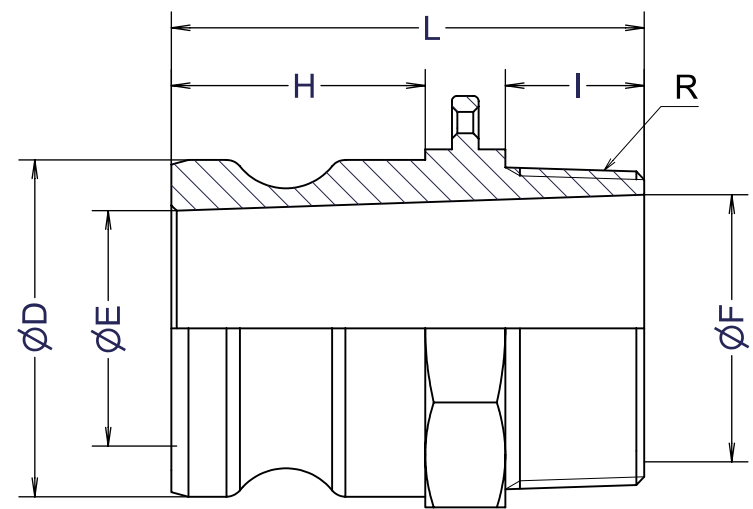
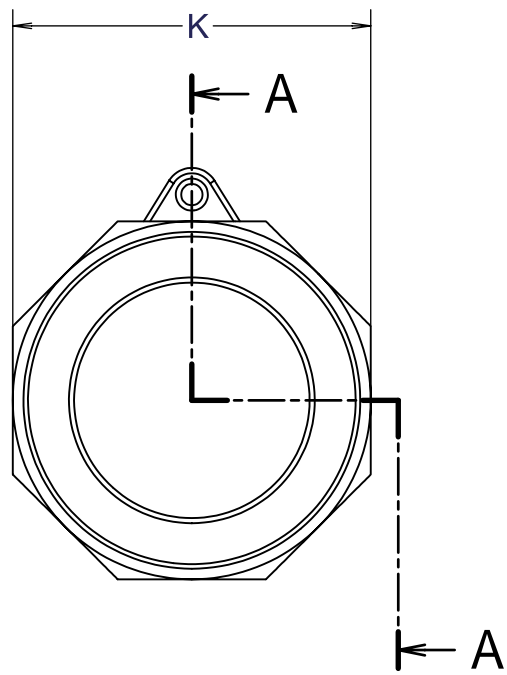



Part No.	75x50-F	75-F	100-F	125-F	150-F	200-F	250-F	300-F	400-F	
Size	mm	20x15	20	25	32	40	50	65	80	100
	inches	3/4x1/2	3/4	1	1 1/4	1 1/2	2	2 1/2	3	4
ØD	32	32	36.7	45.5	53.4	63	75.8	91.5	119.5	
ØE	21	21.5	23	30	34.5	44	54	71	94	
ØF	14	19	25	32.5	40	50	61	78.6	102	
K	27	34	41	48	56	67	84	97	125	
H	28	28	34	40	42	47.5	50	51	52.6	
I	18	20	21	23	23	26	31	33	39	
L	56	58	68	78	80	88.5	101	104	115	
Weight(kg)	0.05	0.06	0.1	0.15	0.19	0.29	0.51	0.53	0.95	

Units:mm



Section A-A

1	ボディ	AC4C-T6	1	
ITEM	PART NAME	MATERIAL	Q'TY	REMARKS
CUSTOMER		TITLE		
		<b>MAX-LOK</b>		
		MAX-F 雄ネジアダプター		
DATE	SCALE	DRAW	APPR	
Jun.26'09	none	ToMo		
DWG No.		<b>MAX-F-01AL-91 3</b>		
Drawing History		 <b>FULLNESS JAPAN CORPORATION.</b>		

Nominal Dia	
Fluid.	
Press.	
Temp.	
Drawing History	