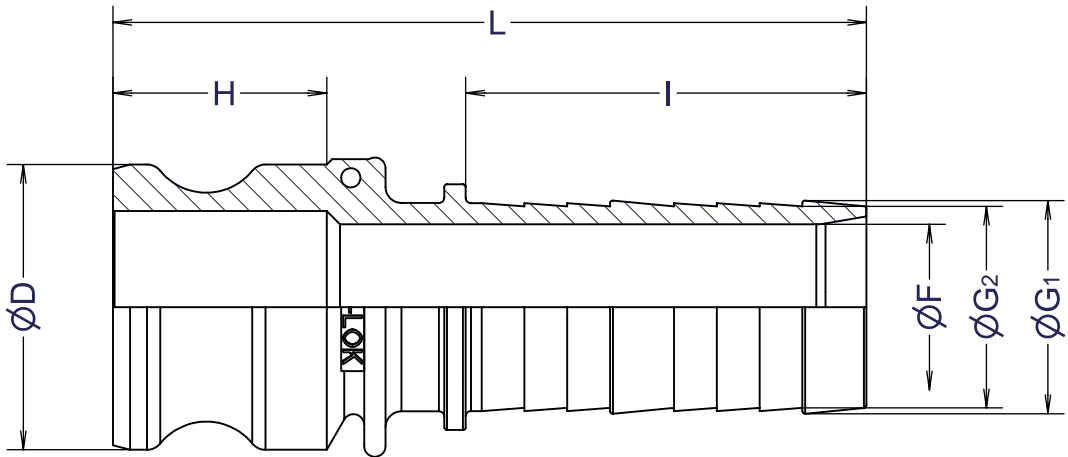
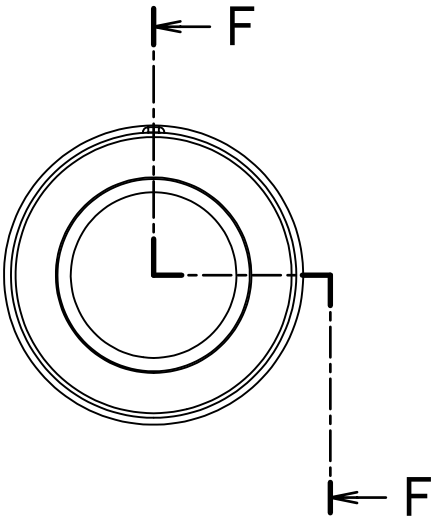



Part No.	75-E	100-E	125-E	150-E	200-E	250-E	300-E	400-E	
Size	mm	20	25	32	40	50	65	80	100
	inches	3/4	1	1 1/4	1 1/2	2	2 1/2	3	4
∅D	32	36.7	45.5	53.4	63	75.8	91.5	119.5	
∅F	14	18.5	25	31	43	55	67	91	
∅G ₁	20.6	27	33.9	39.9	52.8	65.1	77.7	103	
∅G ₂	18.6	25	31.8	37.7	50	62.5	74.5	100	
H	27	34	40	40	46	47	50	52	
I	65	59	61	75	87	88	98	124	
L	102	113	126	141	163	162	175	202	
Weight(kg)	0.07	0.1	0.17	0.23	0.35	0.5	0.6	1.07	

Units:mm



Section F-F

1	ボディ	AC4C-T6	1	
ITEM	PART NAME	MATERIAL	Q'TY	REMARKS
CUSTOMER		TITLE		
		MAX-LOK		
		MAX-E タケノコアダプター		
DATE		SCALE	DRAW	APPR
Oct.28'14		none	ToMo	
Temp.		DWG No.		
Drawing History		MAX-E-02AL-N43		3
		 FULLNESS JAPAN CORPORATION.		