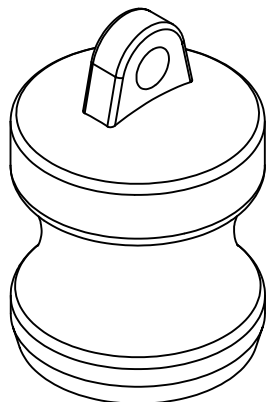
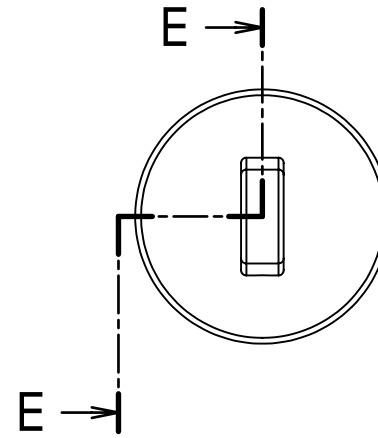



Section E-E



|                 |  |
|-----------------|--|
| Nominal Dia     |  |
| Fluid.          |  |
| Press.          |  |
| Temp.           |  |
| Drawing History |  |

|                |           |  |      |         |
|----------------|-----------|--|------|---------|
| 1              | ボディ       | AC4C-T6  | 1    |         |
| ITEM           | PART NAME | MATERIAL   | Q'TY | REMARKS |
| CUSTOMER       |           | TITLE  |      |         |
|                |           | <b>MAX-LOK</b>   |      |         |
|                |           | MAX-DP-1/2"ダストプラグ  |      |         |
|                |           |  <b>FULLNESS JAPAN CORPORATION.</b> |      |         |
| DATE           | SCALE     | DRAW   | APPR |         |
| Jul.21'10      | 2/1       | ToMo   |      |         |
| DWG No.        |           | 3  |      |         |
| MAX-DP-15AL-01 |           |  |      |         |