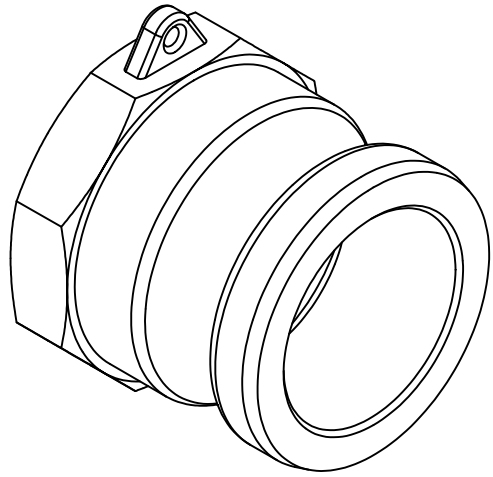
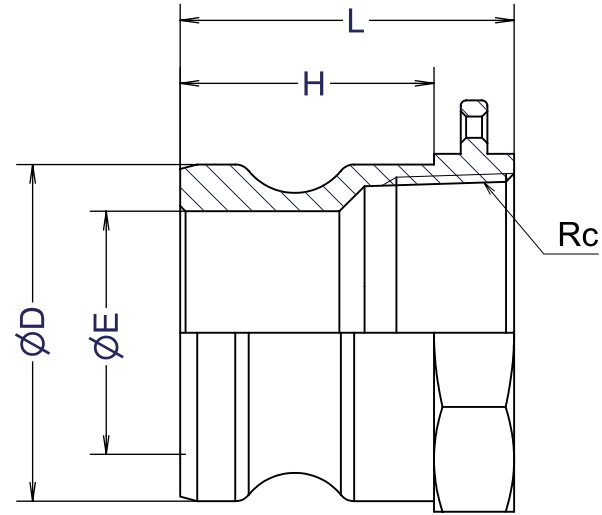
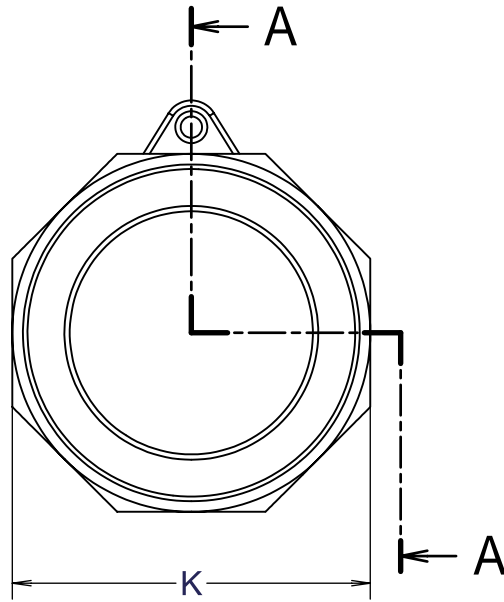


1 2 3 4 5 6




Part No.	75x50-A	75-A	100-A	125-A	150-A	200-A	250-A	300-A	400-A	
Size	mm	20x15	20	25	32	40	50	65	80	100
	inches	3/4x1/2	3/4	1	1 1/4	1 1/2	2	2 1/2	3	4
ØD	32	32	36.7	45.5	53.4	63	75.8	91.5	119.5	
ØE	21	21	23.8	28.5	36	45.5	56.3	73	98	
K	27	34	41	48	56	67	84	97	125	
H	27	28	34	40	42	47.5	50	51	52.6	
L	41	41	47	55	57	62.5	87	71	78	
Weight(kg)	0.04	0.05	0.06	0.1	0.13	0.17	0.38	0.31	0.56	

Units:mm



Section A-A

1	ボディ	AC4C-T6	1	
ITEM	PART NAME	MATERIAL	Q'TY	REMARKS
CUSTOMER		TITLE		
		MAX-LOK		
		MAX-A 雌ネジアダプター		
DATE	SCALE	DRAW	APPR	
Jun.26'09	none	ToMo		
DWG No.		MAX-A-01AL-91 3		
		 FULLNESS JAPAN CORPORATION.		

Nominal Dia	
Fluid.	
Press.	
Temp.	
Drawing History	

1 2 3 4 5 6