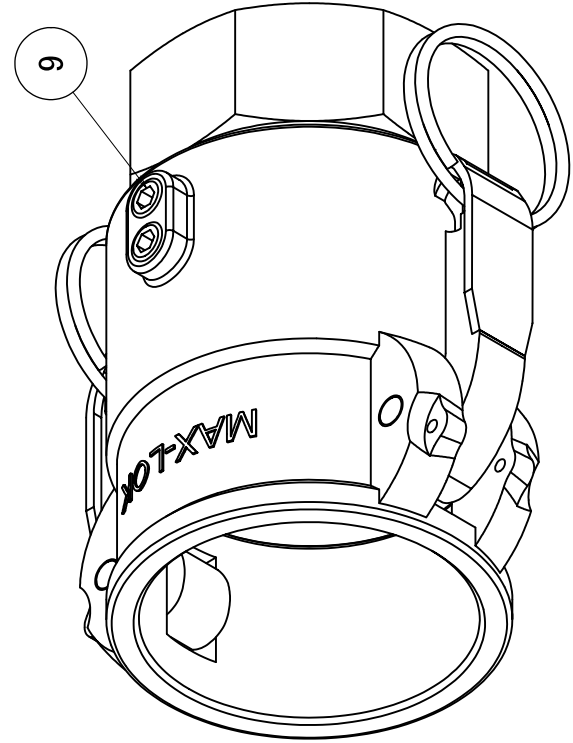
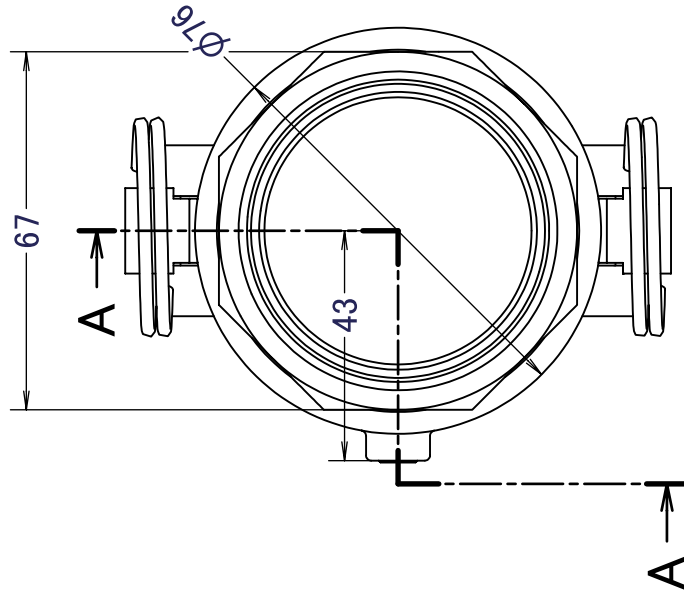
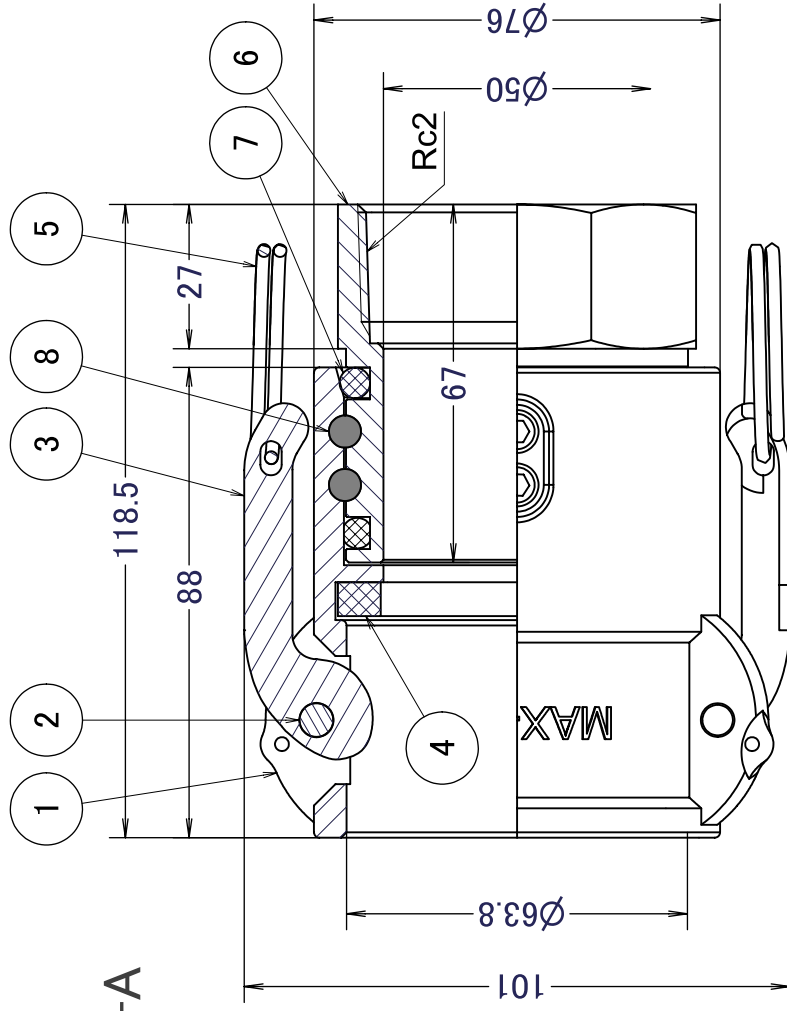


Section A-A



9	Plug-M8xP1.25	SUS304	2
8	Ball-Ø6	SUS304	66
7	O-Ring P55	NBR	2
6	DSV-Adaptor	SCS14A	1
5	RING	SUS304	2
4	GASKET	NBR	1
3	CAM ARM	SUS304	2
2	PIN	SUS304	2
1	BODY	SCS14A	1
ITEM	PART NAME	MATERIAL	Q'TY
CUSTOMER			
TITLE			
DS J-2" Swivel Coupler			
MAX-LOK			
FULLNESS JAPAN CORPORATION.			
Nominal Dia	SCALE	DRAW	APPR
Fluid.	DATE	Jun. 1'09	1/1
Press.	Temp.	ToMo	
Drawing History	DWG No.	MAX-DSJ-50SS-01	3